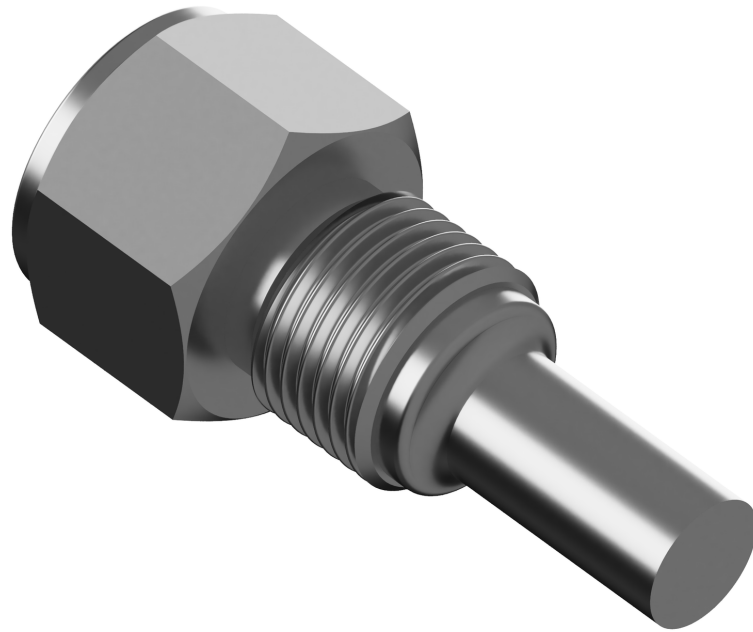




Lyth-Instrument Oy



THERMOWELLS

Thermowell is an important component in temperature measurement. It keeps aggressive industrial substances, high pressures and flows away from the temperature sensor and allows the sensor to be replaced during operation.



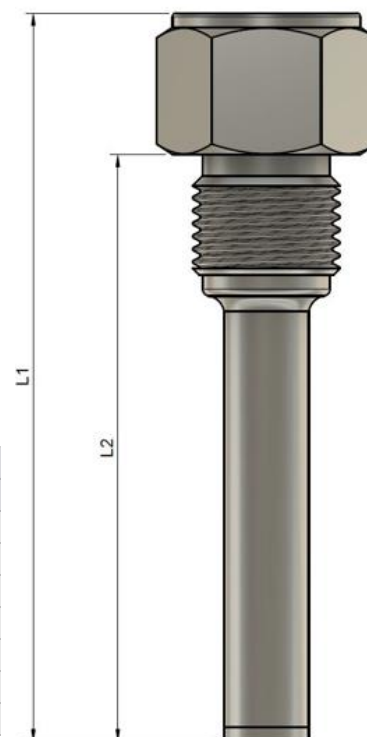


Threaded thermowells

DIN 16179

Material	Diameter \varnothing
AISI 316L	outer diameter 12 mm inner diameter 9 mm
Instrument connection	Max temperature
G 1/4" or G 1/2" internal thread	+400°C
Process connection	Pressure resistance
G 1/2" external thread, other thread standards as factory delivery	Max 40 bar

Product code	Immersion depth	Sensor length	Process connection	Instrument connection
	L2 = mm	L1 = mm	G"	G"
LQ.R7R4-12E/063	45	63	1/2"	1/4"
LQ.R7R4-12E/100	82	100	1/2"	1/4"
LQ.R7R4-12E/200	182	200	1/2"	1/4"
LQ.R7R2-12E/063	45	63	1/2"	1/2"
LQ.R7R2-12E/100	82	100	1/2"	1/2"
LQ.R7R2-12E/200	182	200	1/2"	1/2"
LQ.R7R2-12E/300	282	300	1/2"	1/2"

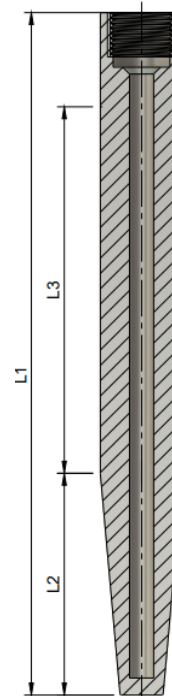


Weldable thermowells

DIN 43763

Material	Diameter \varnothing
AISI 316L, 16Mo3, Titan GR2	inner diameter 7 mm
Hastelloy C-276, Tantalum	outer diameter 24/12.5mm
Instrument connection	Material certificate
M18 x 1.5 internal thread	EN 10204-3.1

Product code	Type	Length	Immersion depth	L3 = mm	Instrument connection
		L1 = mm	L2 = mm		
IN-D1-316	FORM D1	140	65	50	M 18 x 1.5
IN-D2-316	FORM D2	200	125	50	M 18 x 1.5
IN-D3-316	FORM D3	200	65	110	M 18 x 1.5
IN-D4-316	FORM D4	200	65	110	M 18 x 1.5
IN-D5-316	FORM D5	260	125	110	M 18 x 1.5



Welding connections also available. Ask your seller for options.