



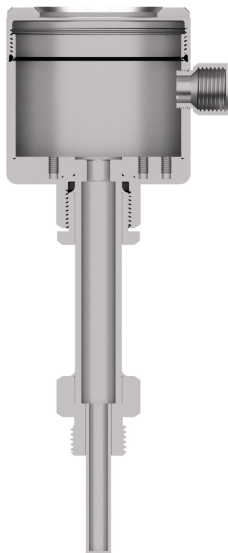
Lyth-Instrument Oy

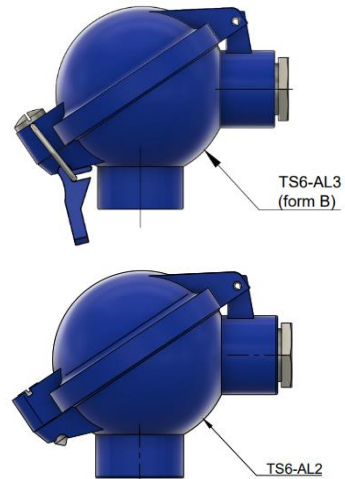
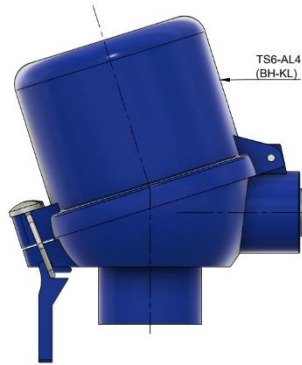
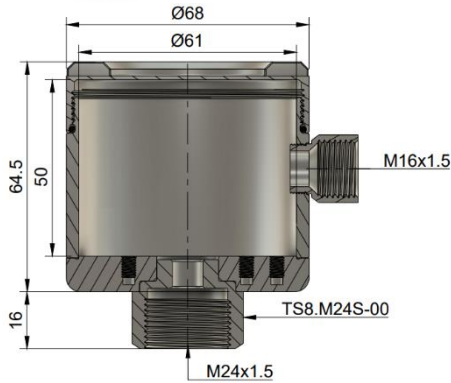


MEKANO THERMOWELLS

Thermowells assembled from components

The basic idea of Mekano thermowell is that the components are interchangeable. You can assemble a thermowell according to your needs from a selection of standard components.





Connection head	Internal height H	Material	IP
TS6-AL2 M24x1.5		Aluminum	65
TS6-AL3 M24x1.5 form B		Aluminum	65
TS6-AL4 M24x1.5-Pg16 BH-KL (for two transmitters)		Aluminum	65
TS8.M24S-00-M16 Hirsch	50	AISI 316L	

Thermowell	L	X	Material
LQ.R7M24U-9/100/205-000	100	195	AISI 316L
LQ.R7M24U-9/120/275-000	120	265	AISI 316L
LQ.R7M24U-9/160/315-000	160	305	AISI 316L
LQ.R7M24U-9/250/405-000	250	395	AISI 316L
LQ.R7M24U-9/400/555-000	400	545	AISI 316L

Flange	EN 1092-1	D	B	d ₂	k	f	d ₄
LA.2540R2	DN25 PN40	115	18	4x14	85	2	68
LA.4040R2	DN40 PN40	150	18	4x18	110	3	88
LA.5040R2	DN50 PN40	165	20	4x18	125	3	102
LA.8040R2	DN80 PN40	200	24	8x18	160	3	138

Protective sleeve	d ₄	Y	Material
10A068-100-	DN25 PN40	68	00 = AISI 316L
10A068-120-	DN25 PN40	68	01 = HASTELLOY C-276
10A068-160-	DN25 PN40	68	02 = TITAN GR2
10A068-250-	DN25 PN40	68	03 = Tantalum
10A068-400-	DN25 PN40	68	05 = AISI 316L/Teflon coating
10A088-100-	DN40 PN40	88	06 = SAF 2205

10A088-120-	DN40 PN40	88	101
10A088-160-	DN40 PN40	88	141
10A088-250-	DN40 PN40	88	231
10A088-400-	DN40 PN40	88	381

10A102-100-	DN50 PN40	102	81
10A102-120-	DN50 PN40	102	101
10A102-160-	DN50 PN40	102	141
10A102-250-	DN50 PN40	102	231
10A102-400-	DN50 PN40	102	381

10A138-100-	DN80 PN40	138	81
10A138-120-	DN80 PN40	138	101
10A138-160-	DN80 PN40	138	141
10A138-250-	DN80 PN40	138	231
10A138-400-	DN80 PN40	138	381

PT-100 thermowell AISI 316L
order example:
 TS6-AL3 M24x1.5
 LQ.R7M24U-9/100/205-000
 LA.2540R2
 10A068-100-00

